



St. John Giles
TRADITIONAL LIGHT FIXTURES

ST. JOHN GILES offers a vast array of contemporary & period lanterns and lamps for outside and inside use to discerning customers. They are all made to the very highest standards and safety norms. The fixtures are handmade by craftsmen and are available in different hand-finished surfaces.

L E R O U
s i n d s 1 7 9 2

MONNIKENWERVE 131 B-8000 BRUGGE
+32 (0)50 31 74 42 | WWW.LEROU.COM | INFO@LEROU.COM

All models, marks & images are property of Lerou ijzerwaren nv.
ST.JOHN GILES is a trademark of Lerou ijzerwaren nv.
Copying will be prosecuted.

04	BESPOKE LANTERNS
08	CARRIAGE HOUSE
12	LANTERNS
16	REGENTS PARK
18	MAIDA VALE
20	MILLBANK
22	OTHERS
24	OPTIONS



BESPOKE LANTERNS

SJG BOX



BESPOKE LANTERNS

SJG BOX size pictured: 2000 mm.

All sizes made to measure.

Please inquire for a price quote.

St. John Giles can make any bespoke lantern.

Please contact us with any inquiry.



BESPOKE LANTERNS

SJG BOX



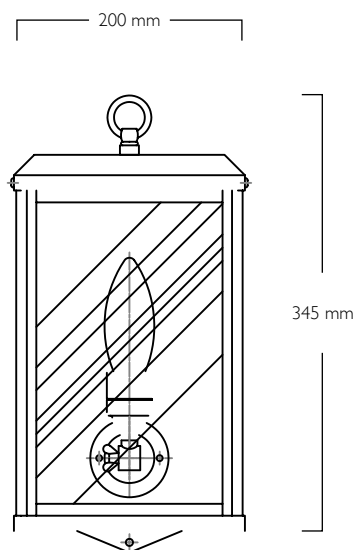
CARRIAGE HOUSE
SJG CARRIAGE 2
SJG CARRIAGE 2.3 RÉTAISE

CARRIAGE HOUSE

SJG CARRIAGE 2

Size pictured: 200 x 370 mm.

See options page 24.

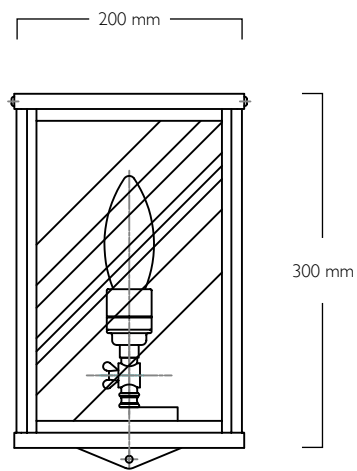


CARRIAGE HOUSE

SJG CARRIAGE 5

Size pictured: 200 x 305 mm.

See options page 24.





CARRIAGE HOUSE

SJG CARRIAGE 5

SJG CARRIAGE 5.3 RÉTAISE





LANTERNS

REGENTS PARK

SJG 12 + BESPOKE II



LANTERNS

REGENTS PARK

SJG 12 + BESPOKE III





SJG 12 + BESPOKE I

St. John Giles
TRADITIONAL LIGHT FIXTURES

REGENTS PARK

REGENTS PARK



SJG 006 306*163
SJG 007 340*192
SJG 010 528*228
SJG 011 674*292

SJG 012 726*332
SJG 013 800*406
SJG 014 824*452



REGENTS PARK CAST

SJG CAST 10 560*250

SJG CAST 13 660*350

SEE OPTIONS FOR FIXTURES P 24 - 25



SJG 083.3 RÉTAISE

St. John Giles
TRADITIONAL LIGHT FIXTURES

MAIDA VALE

MAIDA VALE



SJG 083 530*325
SJG 084 670*450

SEE OPTIONS FOR FIXTURES P 24 - 25



SJG 095.3 RÉTAISE

St. John Giles
TRADITIONAL LIGHT FIXTURES

MILLBANK

MILLBANK



SJG 094 692*335
SJG 095 928*464

SEE OPTIONS FOR FIXTURES P 24 - 25

MAYFAIR



SJG 005 308*236
SJG 016 520*320
SJG 017 680*400
SJG 018 775*470

KENSINGTON



SJG 092 475*322
SJG 093 611*389

MARYLEBONE



SJG 079 495*360
SJG 080 683*455

PADDINGTON



SJG 022 634*334
SJG 023 710*375
SJG 024 830*455

HOLLAND PARK



SJG 081 490*350
SJG 082 782*495

BELGRAVIA



SJG 081 490*350
SJG 082 782*495

VICTORIA



SJG 134 823*628
SJG 135 1037*775
SJG 136 1135*885

OPTIONS

FINISHES

Cowes Patina™	Cape Patina™
Rétaise Patina™	Chrome Polished
Gold Plated	Chrome Brushed
Mountain Copper™	Nickel Polished
Black Lacquered	Nickel Brushed
Silver Plated	

GLASS PANELS

Clear glass
Frosted glass

FIXTURES

Forged brackets
Chains

St. John Giles can make any bespoke lantern. Please contact us with any inquiry.

L E R O U

MONNIKENWERVE 131 B-8000 BRUGGE
+32 (0)50 31 74 42 | WWW.LEROU.COM | INFO@LEROU.COM

FIXTURES

Yoke



Chain



Quoke



Bespoke I



Bespoke II



Bespoke III









LEROU
since 1792

Monnikenwerve 131 B-8000 Brugge | www.lerou.com